



K150/ K150P CLEANING & START-UP PROCEDURE

This procedure demonstrates how to properly clean and sanitize the Keurig® K150/ K150P brewer

This procedure should take approximately 30 minutes

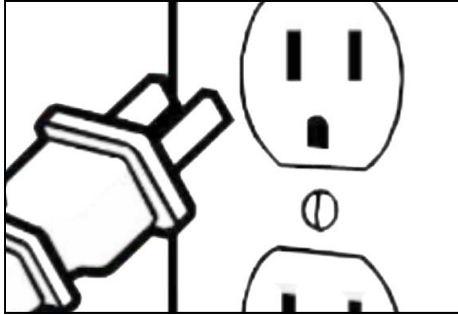
Tools Needed

- ◆ Clean & Sanitize Kit (*if available*)
- ◆ Available sink



Cleaning

Carefully unplug brewer and bring to sink



For K150 remove Reservoir and drain (see Fig. 1)

For K150P turn water **OFF** and disconnect water line (see Fig. 2)

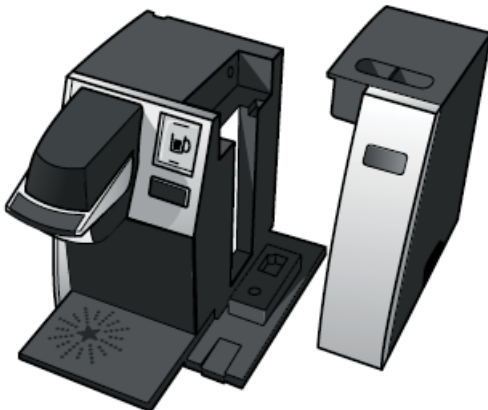


Fig. 1



Fig. 2

Cleaning *cont.*

Lift handle and remove any used K-Cup® pods that may be present (see Fig. 3)

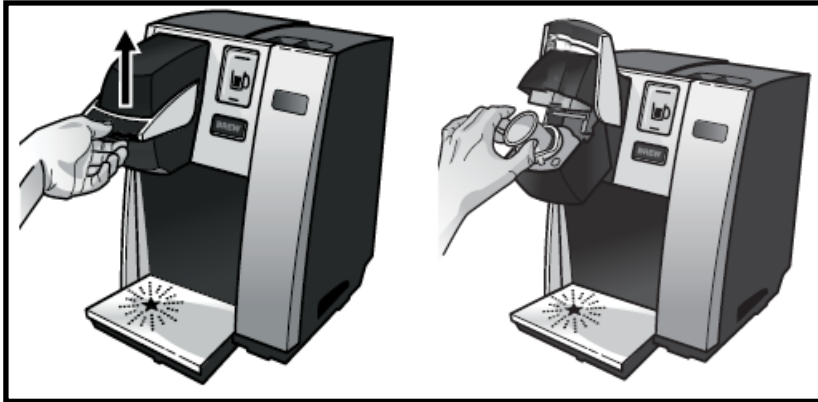


Fig. 3

Remove rear Door Hatch and locate drain tubes at rear of brewer and carefully drain (see Fig. 4)

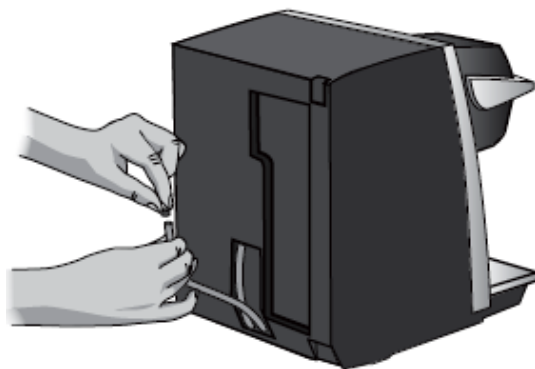


Fig. 4

Cleaning *cont.*

Remove all parts as shown below (see Fig. 5)

Clean and sanitize thoroughly per Clean & Sanitizing procedure (see pg. 5)

Follow up with wipes on all exterior of brewer

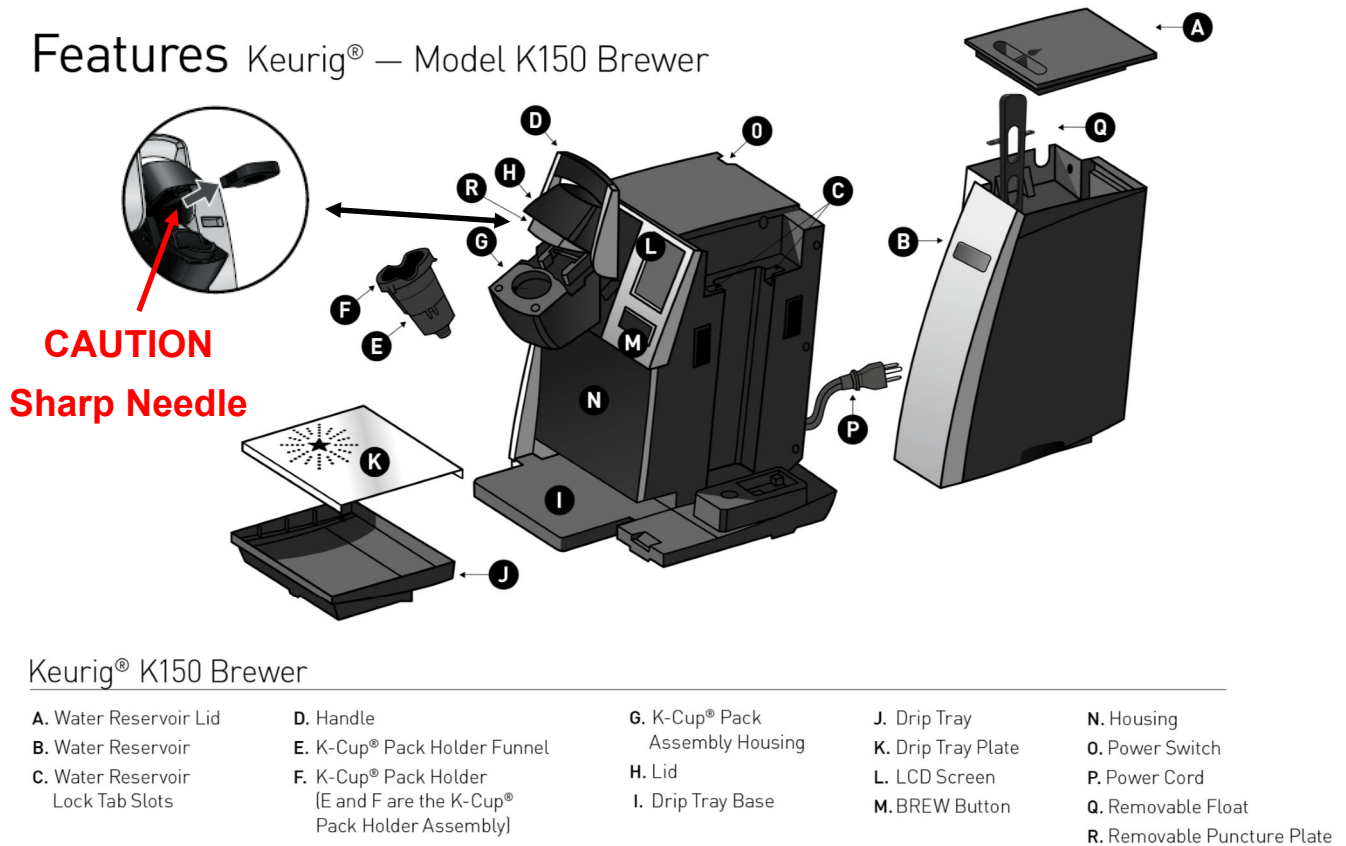


Fig. 5

Cleaning & Sanitizing Procedure



Cleaning Solution

1. Prepare Urnex Rinza solution by adding 8 oz (240 ml) of Urnex Rinza concentrate to 1 gallon (3.5 L) of warm tap water (or equivalent dilution)
2. Mix well and use immediately
3. Soak removed parts for 30 minutes in solution
If parts could not be removed from the appliance, then add cleaning solution to a soft cloth and use it to coat appliance parts then let sit for 30 minutes

Sanitizing solution

1. Prepare Urnex Complete Café Sanitizer Solution by adding 0.5 oz (15 mL) of Urnex Complete Café concentrate to 1 gallon (3.7 L) of warm tap water
2. Mix well and use immediately
3. Soak parts in solution for 1 minute
If parts could not be removed from the appliance, then add sanitizing solution to a soft cloth and use it to coat appliance parts then let sit for 1 minute
4. Remove parts from solution and allow to drain and dry completely
Do **NOT** rinse
If parts were not removed from the appliance, wipe with a clean soft cloth and let air dry
Do **NOT** rinse or apply water

Sanitize Machine Surfaces (as needed)

1. Prepare a solution of 4 mL of Urnex Complete Café Sanitizer to 1 L of water in a spray bottle
2. Spray exterior surface of appliance and allow solution to remain on surface for 1 minute
3. Wipe away with clean cloth and allow to fully air dry

Urnex Café Wipz

These can be used to wipe down any components of the brewer that cannot be easily removed

Urnex Cleaning Pods

These can be used during Cleansing brews to clean the bottom of the pod holder and exit needle

Running a Cleansing Brew

Reassemble all parts removed ensuring that the Removable Float (*item Q*) is installed correctly

K150: fill Reservoir with fresh water (*see Fig. 6*)

K150P: reconnect water line and turn valve **ON** (*see Fig. 7*)

(CHECK FOR LEAKS)



Fig. 6



Fig. 7

Plug brewer into a grounded outlet and press Power Switch (*item O*)

Located at top left hand side at rear of brewer

The brewer's LCD Display will display the power up welcome screen (*see Fig. 6*)

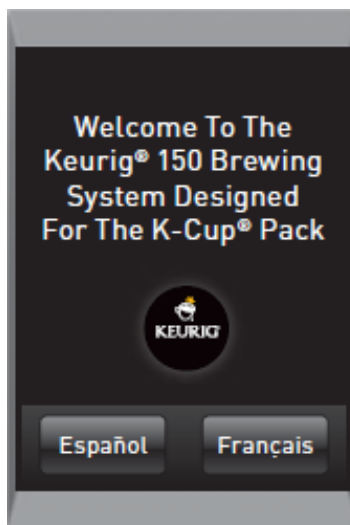


Fig. 6

Running a Cleansing Brew *cont.*

Please wait until the water reaches the correct temperature (*less than three minutes*)
(see Fig. 7)

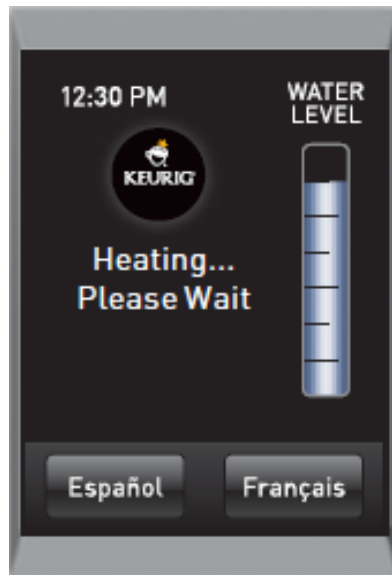


Fig. 7

The LCD Display will change & notify when ready (see Fig. 8)



Fig. 8

Running a Cleansing Brew *cont.*

Open and close Handle

Do **NOT** insert a K-Cup® pod

Select the 10oz Brew Size

Press the BREW button

Pour **HOT** water into sink

NOTE: *If available, an Urnex cleaning pod can be used for one of the Cleansing Brew cycles*

Repeat Cleansing Brew 3 times



PROCEDURE COMPLETE!

If you have any questions please contact Keurig Commercial Technical Support: 888-287-2739 option 5